



AMERICAN MADE

2024
Product Catalog

Durability By Design



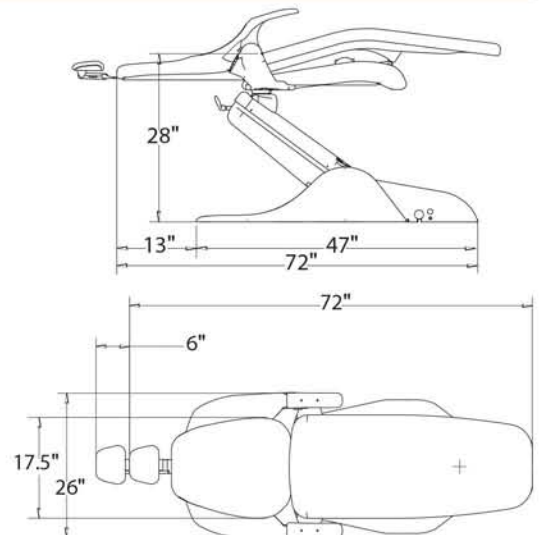
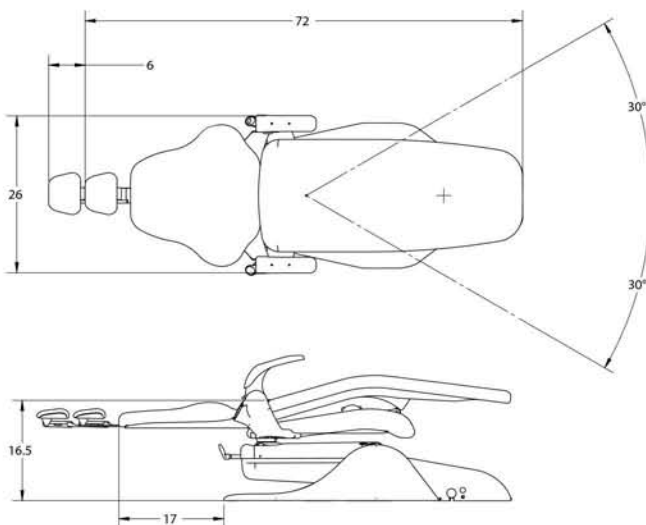
Epic

Operator chair with 3 programmable positions
\$10,500.00

Epic (Narrow Back)

Operator chair with 3 programmable positions
\$10,500.00

Dimensions



Features of Epic Operatory Chair

Epic

Heavy duty cast iron construction	■
Thin back with lumbar support	■
Armrest mounted touch pad control	■
4 manual chair movements, 3 programmable positions and home position	■
Swing down armrest	■
Synchronized back and seat recline	■
Heavy vinyl scuff guard for toe board	■
Electromechanical chair operation (110 VAC)	■
600 lb. lifting capacity	■
Double articulating headrest	■
30° Rotation left and right of center	■

Options

Part Number

Price

Epic chair foot control	400-065	\$560.00 Add	■
Additional touch pad	400-165	\$215.00 Add	■
Ultraleather™ (in lieu of standard upholstery)	CH-9001	\$780.00 Add	■
Ultraleather™ Slings (in lieu of standard upholstery)	CH-9007	\$1380.00 Add	■
Standard Nauga Soft upholstery options (see page 131)			■
Additional upholstery options may be available upon request.			■
Sling Upholstery (in lieu of standard)	CH-9006	\$600.00 Add	■
Narrow Back Upholstery (in lieu of standard)	CH-9008		■
Contoured Utility Center (see page 106)			■



Clear Toe Cover
CH-0763
\$95.00



Second Touch Pad Control
Located on armrest
400-165
\$215.00



Foot Switch with additional
preset
(Optional feature)
400-065
\$560.00



Chair base floor pad
CH-0893
\$105.00

Upholstery swatches available upon request please contact customer service
2 year warranty on all upholstery (complete warranty available at the front of the catalog)



These products contain chemicals known to the State of California to cause cancer and/or reproductive harm. For more information go to www.P65Warning.ca.gov