



BEAVERSTATE DENTAL SYSTEMS



Service Manual

Epic Series Dental Chair

Epic Series Dental Chair

Cleaning and Disinfecting

Infection control in the dental office continues to be a high priority for our customers and end users.

We will not attempt to specify the required intervals for disinfection nor can we state what is the overall best surface disinfectant. Please refer to the Infection Control Recommendations published by the American Dental Association for further reference.

Barrier Technique

Beaverstate Dental, Inc. strongly advocates the barrier technique be used whenever possible to preserve the finish and appearance of the equipment. Wherever possible disposable barriers should be used and changed between patients. The barrier technique will ensure maximum long term durability of the surfaces and finishes of equipment.

Chemical Disinfection

Regardless of the chemical disinfectant used, it is imperative that the equipment be thoroughly washed with mild soap and warm water at least once per day. This wash down will minimize the harmful effects of chemical disinfectant residues being allowed to accumulate on the equipment.

When using chemical disinfectants always pay strict attention to the disinfectant manufacturers directions. When using concentrated disinfectants measure the concentrate carefully and mix according to package directions. Disinfectant solutions that are relatively harmless to surfaces at their recommended strengths can be corrosive at higher than recommended dilution ratios.

Unacceptable Disinfectants

These disinfectants *will harm* the surface finishes of Beaverstate Dental equipment and are *not recommended*. **USE OF THESE PRODUCTS WILL VOID YOUR WARRANTY.**

Chemical Composition	Trade Names
Strong Phenols/Phenol-Alcohol Combinations	Lysol, Lysol 2, Lysol Professional Coe Foam, Coe Spray Pump, Vitaphone, Omni II
Sodium Hypochlorite/Household Bleach	Clorox, Ajax, Purex
Alcohol	
Household Cleaners	

*Conditionally Acceptable Disinfectants

These disinfectants have been found to be the *least harmful* to the equipment surfaces. None of these products are recommended for chair upholstery. Use the barrier technique.

Chemical Composition	Trade Names
Iodophors**	Biocide, Aseptic-IDC Wescodyne, SD5, Promedyne, Ido-Five
Mild Phenols	Procide ES, Asepti-Steryl Aerosol
Glutaraldehyde/Phenol sprays	Sterall Spray, Coldspor
Synergized Super Quat	Dis-cide, Cavicide, Kleenaseptic
Phenol/Water Sprays	Top-Cide, Sporicidin Pump Spray, Birex se

***Beaverstate Dental, Inc.** makes no representation as to the disinfectant efficacy of these products. We make no warranty, expressed or implied, that these disinfectants will not damage the surface finishes. Damage and discoloration of the surface finishes is not covered under the warranty. **Iodophor based disinfectants will cause yellow staining on many surfaces. Regular washing with soap and water will minimize this staining. Iodophor neutralizers such as Promedyne are also available.

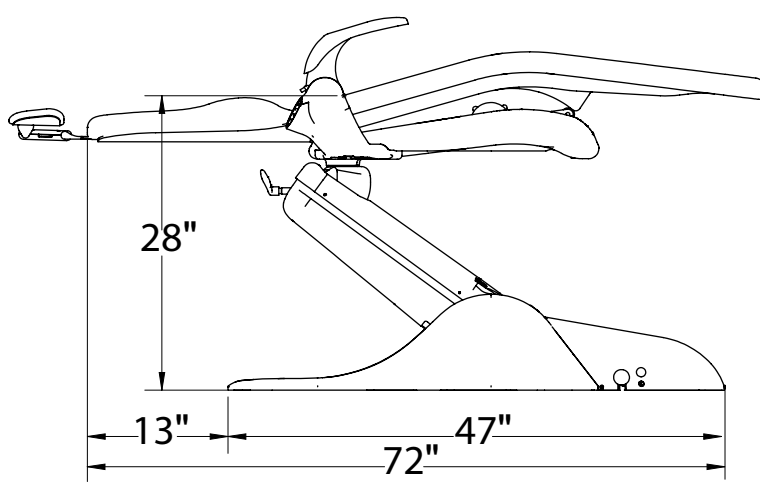
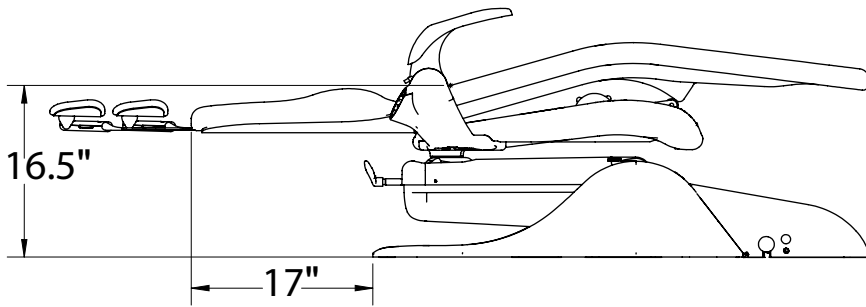
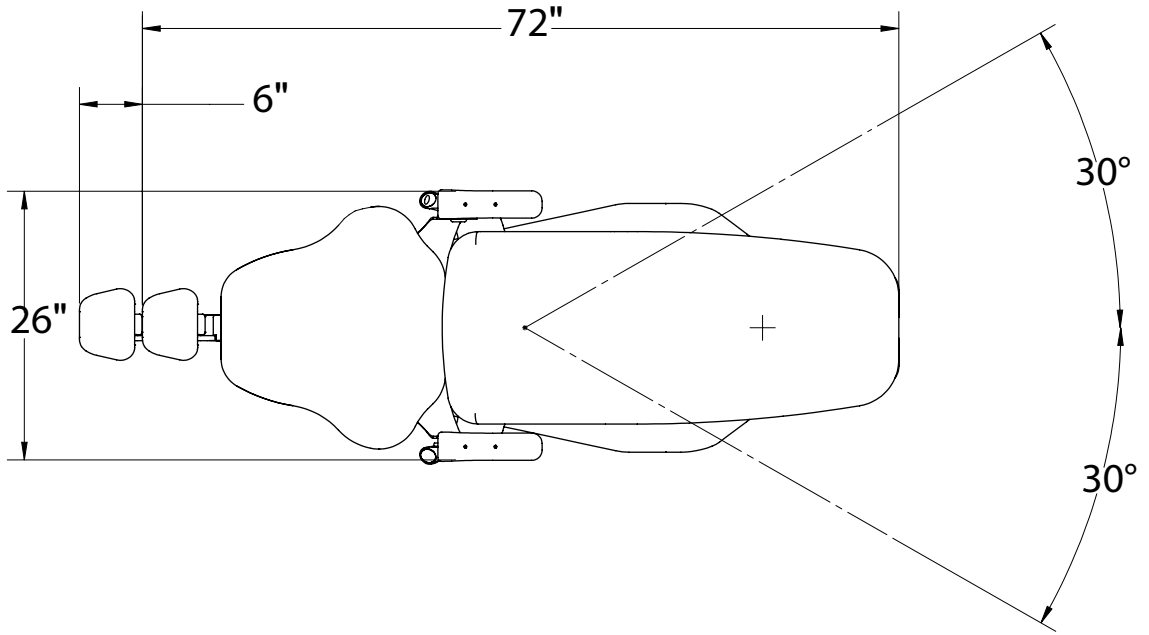
Environmental Specifications

Operating Conditions 10° C to 40° C (40° F to 104° F) - Relative humidity: 80% for up to 31° C, decreasing linearly to 50% at 40° C

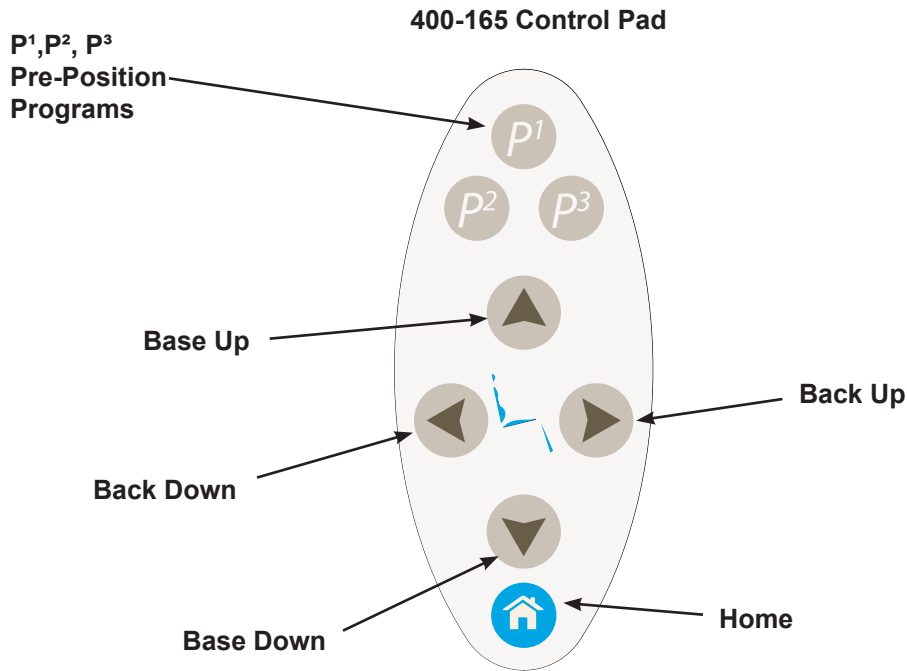
Storage and Transport -29 °C to + 50 °C (-20 ° to + 140°F) - Relative humidity: 80% for up to 31° C, decreasing linearly to 50% at 40° C

Indoor Use Altitude up to 3,048 m (10,000 ft.), installation category II, pollution degree 2 (IEC 61010-1).

EPIC SERIES - DIMENSIONS



DESCRIPTION OF FUNCTIONS FOR THE KEYPAD CONTROL



p^1 , p^2 , p^3 : These switches are used to place the patient in any of the three (3) programmed operating positions.

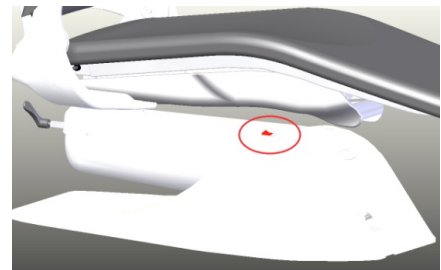
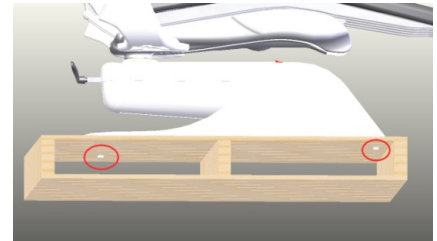
P¹-P³: These switches are used to set the programs in the memory. To start programming, the chair must be in the home position, base all the way down and back all the way up. Manually run the chair to the first chosen position. Push (P1) until an audible tone is heard. This sets the (P1) position in the memory. Continue to your next chosen position and program each position in the same manner.

To re-program a position, manually move the chair to the new position and press the appropriate program button until an audible tone is heard. The new position is now in the program memory.

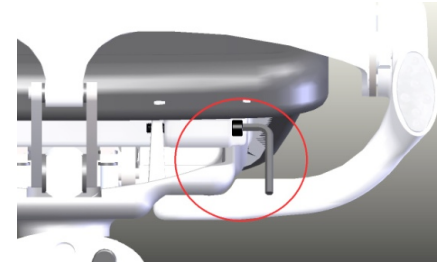
Foot Control: When using the foot control, the (P) feature provides an additional programable position to those on the touchpad. This position can be set by manually running the chair to the desired position then press and hold the button until an audible tone is heard.

EPIC SERIES DENTAL CHAIR - INSTALLATION

1. Using a pair of side cutters remove banding around package. Remove lid and box.
2. Remove the seat upholstery and head rest from the box and set aside.
3. Locate the two 3/8-16 bolts on the underside of pallet and remove using a 9/16" socket or wrench. Carefully slide chair from pallet. With the swivel brake in the locked position transport the chair to its desired location by lifting from the arm rests and seat casting. It's very important that the break handle remains in its locked position.
4. Plug the chair in and locate the main power switch and turn on.



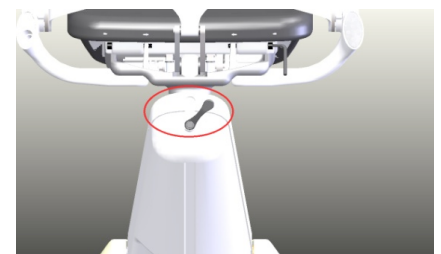
5. Operate to the desired position to install the seat upholstery; usually this will be in its highest position. Attach the two 3/8-16 bolts (supplied in the seat upholstery) with a 1/4" hex wrench.



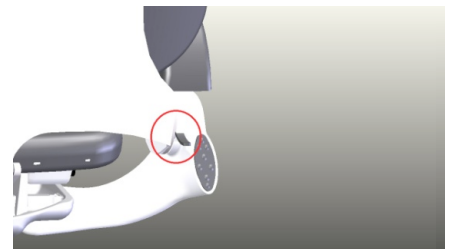
6. The headrest friction screw has been adjusted in the factory prior to shipment. Install the headrest into the upper slot and adjust screw with a 7/64" hex wrench to desired tension if necessary.



7. Loosen the swivel handle by turning counter clockwise and pivot chair to its desired position and turn handle clockwise to lock out if desired.

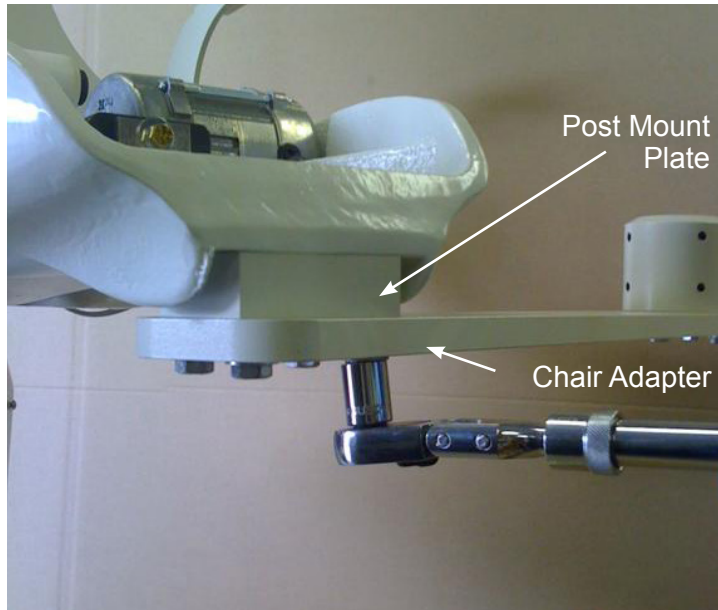


8. The armrests flip down for the patient to easily access and exit the dental chair. Simply press the release lever and flip down so the armrest is completely out of the way for entry or exit.

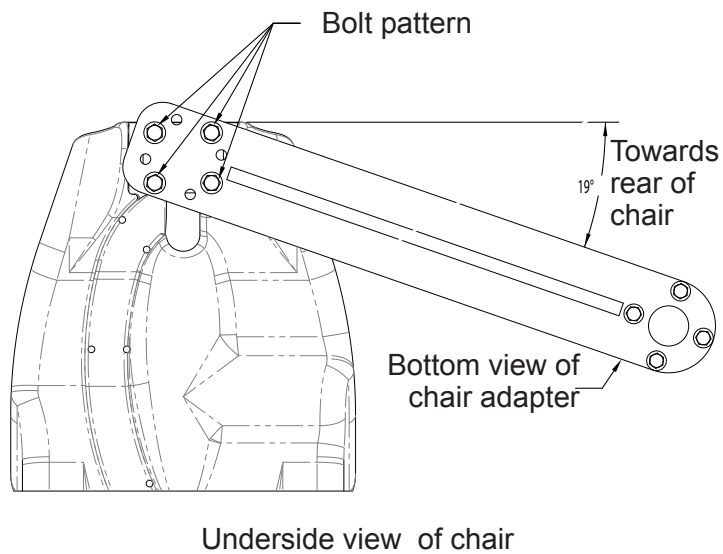


FIXED CHAIR ADAPTER - INSTALLATION 400-030

1. With a 9/16" socket, attach the four bolts (shown below)

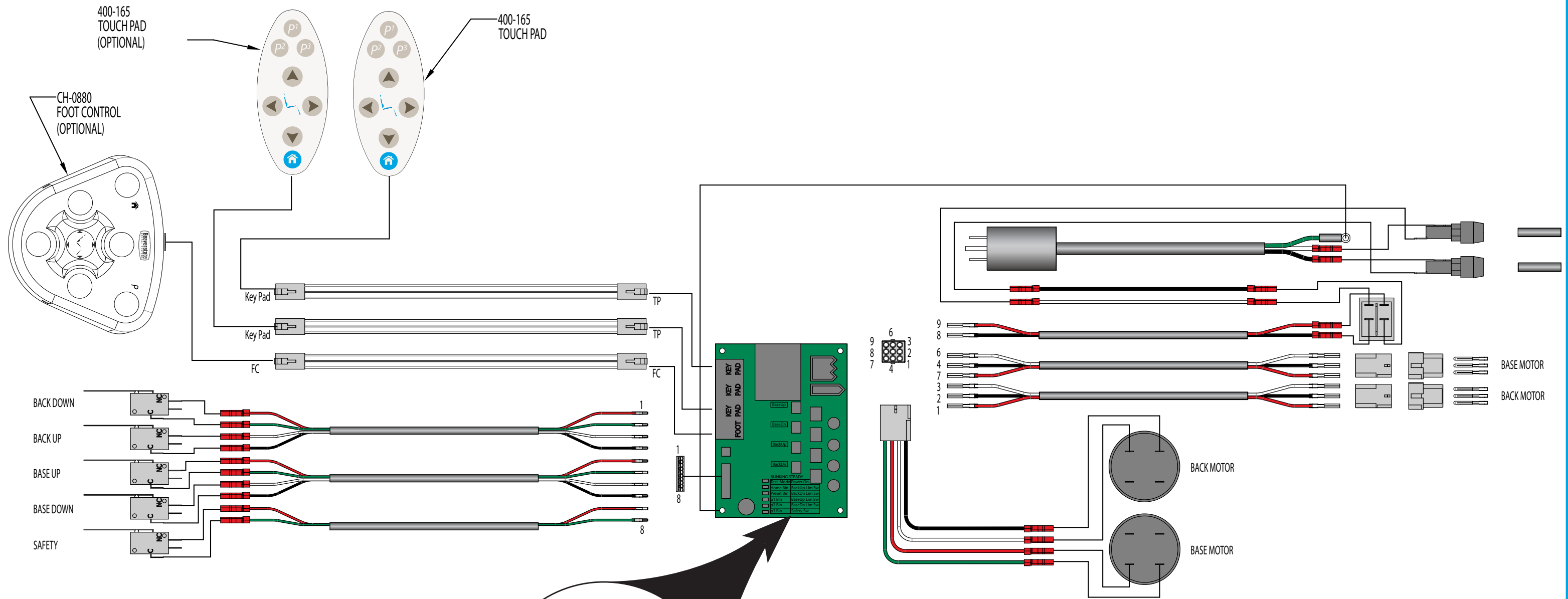


2. Use the bolt pattern as shown in the diagram (shown below)



3. Mirror chair adapter (shown above) for opposite side mount

EPIC SERIES - CHAIR WIRING DIAGRAM



BLINKING STEADY

Test Mode	Power On
Home Bin	BackUp Lim Sw
Preset Bin	BackDn Lim Sw
p1 Btn	BaseUp Lim Sw
p2 Btn	BaseDn Lim Sw
p3 Btn	Safety Sw

WARRANTY

BDS warrants its product to be free of defects in material and workmanship for SEVEN FULL YEARS from the date of purchase on all units. Auto-blocks and standard foot controls are covered by a LIFETIME warranty when factory installed as part of a complete dental system. Upholstery has a TWO YEAR warranty and does not cover normal wear, stains, cuts or tears. Our LED lights have a FIVE year Warranty and our halogen light has a ONE year Warranty. Operatory chair motors feature a TEN year warranty. All warranty is limited to repair or replacement by BDS. Products returned to the factory and determined to be defective will be repaired or replaced free of charge at discretion of BDS. The warranty does not cover light bulbs, electrical components and trimmed or installed tubing. BDS reserves the right to void all warranties if any product is installed by other than an authorized technician. BDS' warranty does not cover damage to any surface finish, including but not limited to, discoloration or abrasion from cleaners, disinfectants or light sources. No claim for labor or consequential damages will be allowed. Return items must include a copy of the invoice or packing slip as proof of purchase.

**Beaverstate Dental Inc.
115 S. Elliott Rd.
Newberg, OR 97132
800-237-2303
503-538-8756
503-538-2845 Fax
www.beaverstatedental.com**
