



AMERICAN MADE

2024
Product Catalog

Durability By Design



DR-96

Doctor's Stool
\$750.00

AT-96

Assistant's Stool
\$1,020.00

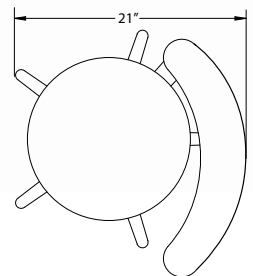
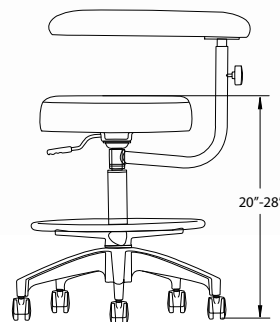
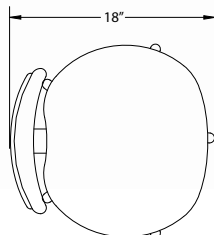
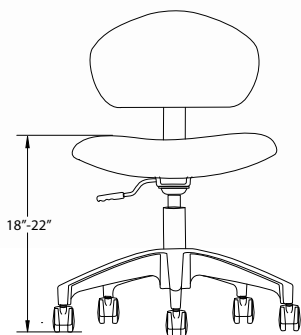
DR-97

Doctor's Deluxe Stool
\$1,365.00

AT-97

Assistant's Deluxe Stool
\$1,620.00

Dimensions



Features for stools

DR-97 DR-96 AT-97 AT-96

Contoured seamless seat	■	■	■	
Round seat, 15-1/2" x 4", stitched				■
Chrome plated back upright	■	■		
Contoured seamless semi-rectangular back		■		
Contoured seamless oval back	■			
Chrome plated, full padded body support				■
Chrome plated, pneumatic cylinder with height adjustment, 18" to 22"	■	■		
Chrome plated, pneumatic cylinder with height adjustment, 20 to 28"			■	■
5-leg, powder coated base	■	■	■	■
Twin wheel casters (see page 119)	■	■	■	■
Adjustable footring			■	■
Standard Nauga Soft upholstery (see color chart page 131)	■	■	■	■
Contoured seamless seat with tilt	■			
Chrome plated back upright with tilt	■			
Ratcheting body support			■	

Options

Part Number Price

Ratcheting body support with plastic cover	108-011	\$500.00 Add				■
Additional upholstery options may be available upon request.			■	■	■	■
Ultraleather™ (in lieu of standard upholstery)	DR-96 UL, AT-96 UL	\$320.00 Add	■	■	■	■
Ultraleather™ (in lieu of standard upholstery)	DR-97 UL, AT-97 UL	\$320.00 Add	■	■	■	■
Taller cylinders available upon request	108-010	(call for pricing and availability)				



These products contain chemicals known to the State of California to cause cancer and/or reproductive harm. For more information go to www.P65Warning.ca.gov