



Service Manual

C-4201

Asepsis Design Cuspidor, Vacuum
Accessory Group and Water QD.
(used with 145-002 side box only)

Installation

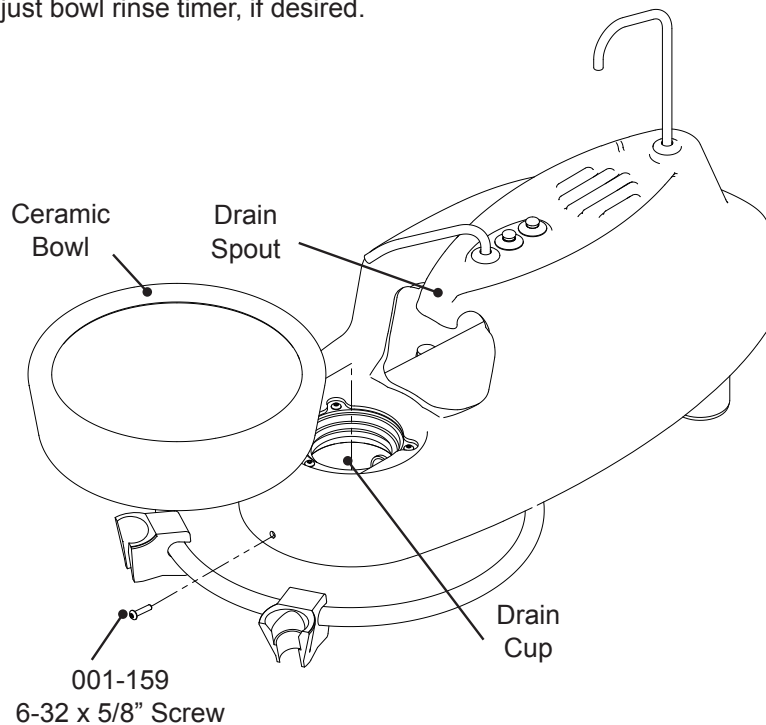
1. Place the shipping carton in the desired location. Remove the cuspidor from the shipping carton.
2. Run umbilical through cuspidor hole in top of side box. Place cuspidor drain shaft into hole.
3. Place the bowl, cup filler and bowl rinse spouts in their appropriate locations.
4. Connect the supply and vacuum tubings and gravity drain to the appropriate connections.
5. Connect the low voltage wiring for the vacuum switch to the electrical source.

Bowl Installation

1. Remove bowl and screw from package. Tuck bowl under the drain spout of the cover and press bowl firmly into drain cup.
2. With the screw provided, fasten cover to the metal frame using a 5/64" hex wrench.

Final Adjustments

- Test the bowl rinse.
- Test the cup filler.
- Check for proper drain.
- Test HVE and Saliva Ejector valve for proper function.
- Adjust bowl rinse timer, if desired.



C-4201

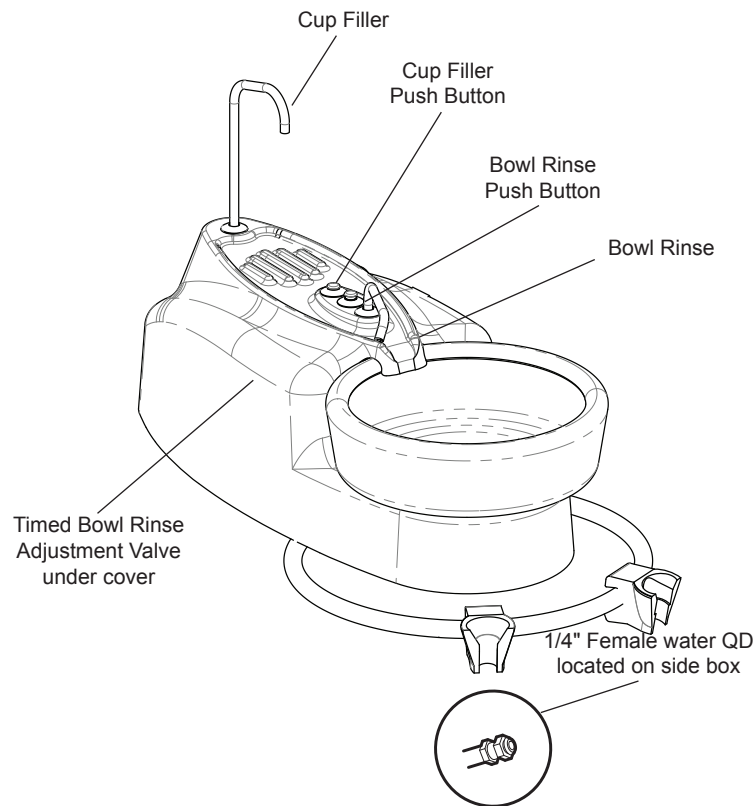
- Operation**
1. The cup filler is activated by pushing the cup filler button. The cycle stops automatically.
 2. The timed bowl rinse is activated by pushing the rinse button. The timing for the rinse cycle may be adjusted with the flow control valve located under the cuspidor housing. To adjust the rinse cycle:
 - a. Turn adjustment knob *counter-clockwise* to decrease the rinse cycle time.
 - b. Turn adjustment knob *clockwise* to increase the rinse cycle time.

NOTE



The bowl rinse timer is set at the factory for 15 seconds. This adjustment is very sensitive, only 1/8 of a turn will increase or decrease the time significantly.

3. Flip the electric switch to activate the vacuum for the HVE and Saliva Ejector valve.



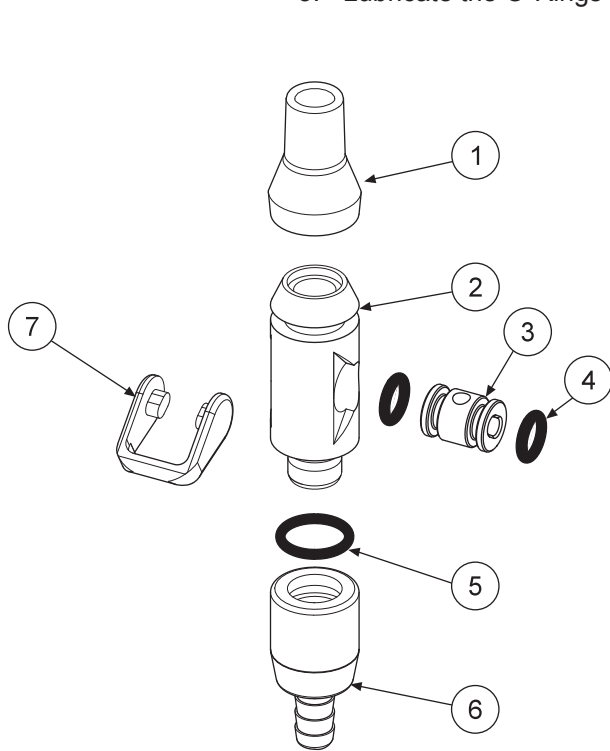
Controls for Cuspidors

Autoclavable HVE & S/E Valves

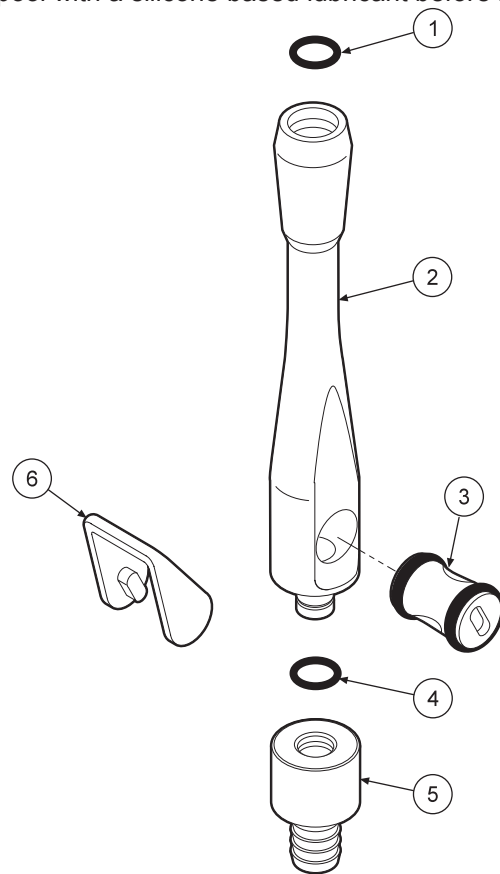
Maintenance Autoclavable vacuum valves may be autoclaved by steam autoclave or chemical vapor. Due to the tight clearances and hardness of the anodized surfaces, the valve spool can become jammed or seized in the valve if it is sterilized while contaminated with debris.

Valves can be quickly disassembled for cleaning.

1. Pry one side of the lever and flip it off of the valve. For saliva ejector valves, remove the tip also.
2. Push out the valve spool and clean all the disassembled parts in an ultrasonic cleaner daily. *Rinse thoroughly before putting into autoclave.*
3. Lubricate the O-Rings on the spool with a silicone based lubricant before reassembly.



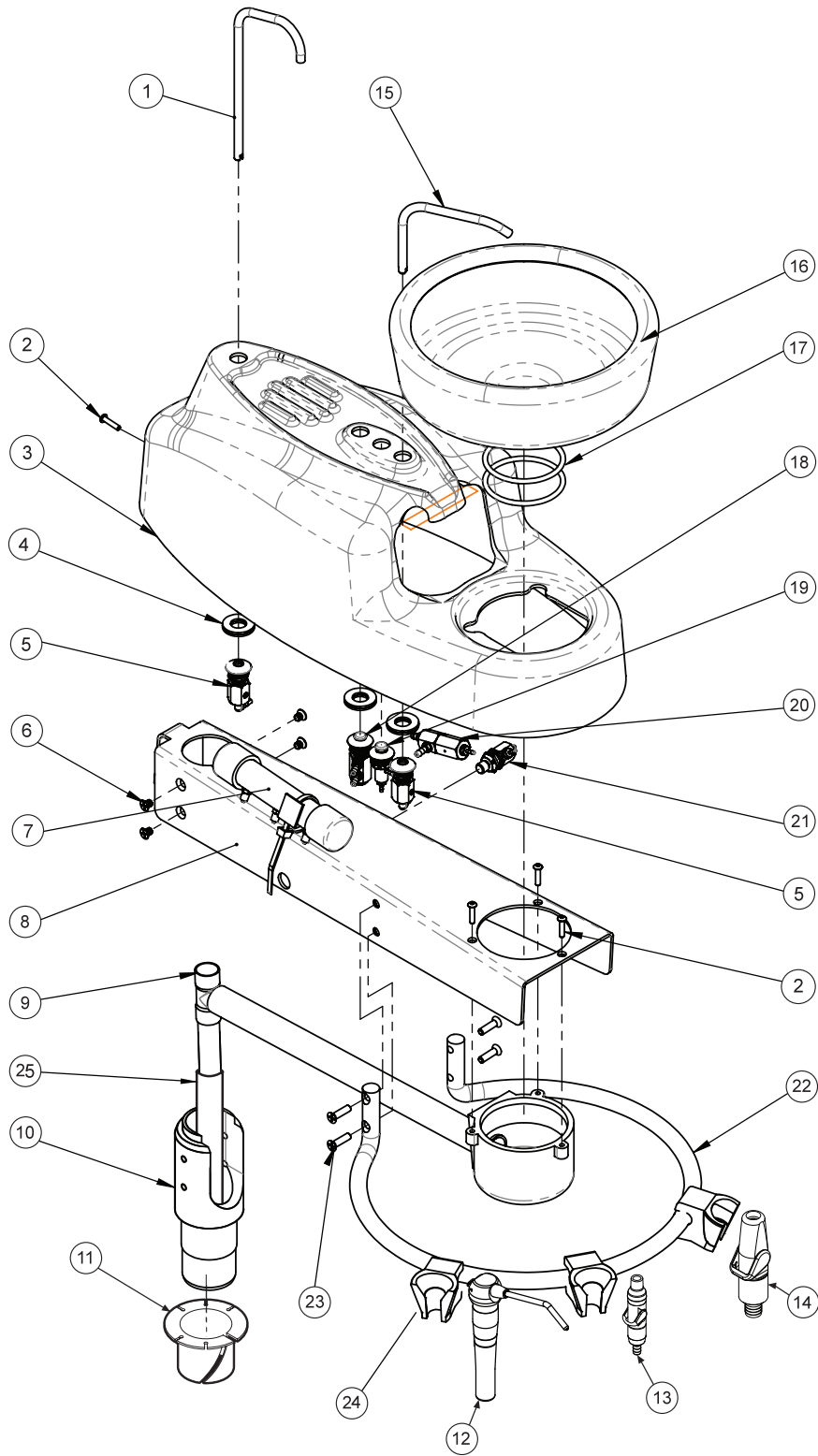
ITEM	PART DESCRIPTION	PART NUMBER	QTY
1	Tip.....	112-174	1
2	Body.....	112-276	1
3	Spool.....	112-278	1
4	O-Ring, #10.....	017-110	2
5	O-Ring, #12.....	017-012	1
6	Swivel.....	112-177	1
7	Lever.....	112-181	1



ITEM	PART DESCRIPTION	PART NUMBER	QTY
1	O-Ring, #13.....	017-113	3
2	Body, Chrome.....	112-272	1
3	Spool, Chrome.....	112-268	1
4	O-Ring, #13.....	017-013	1
5	Swivel.....	112-170	1
6	Lever.....	112-169	1

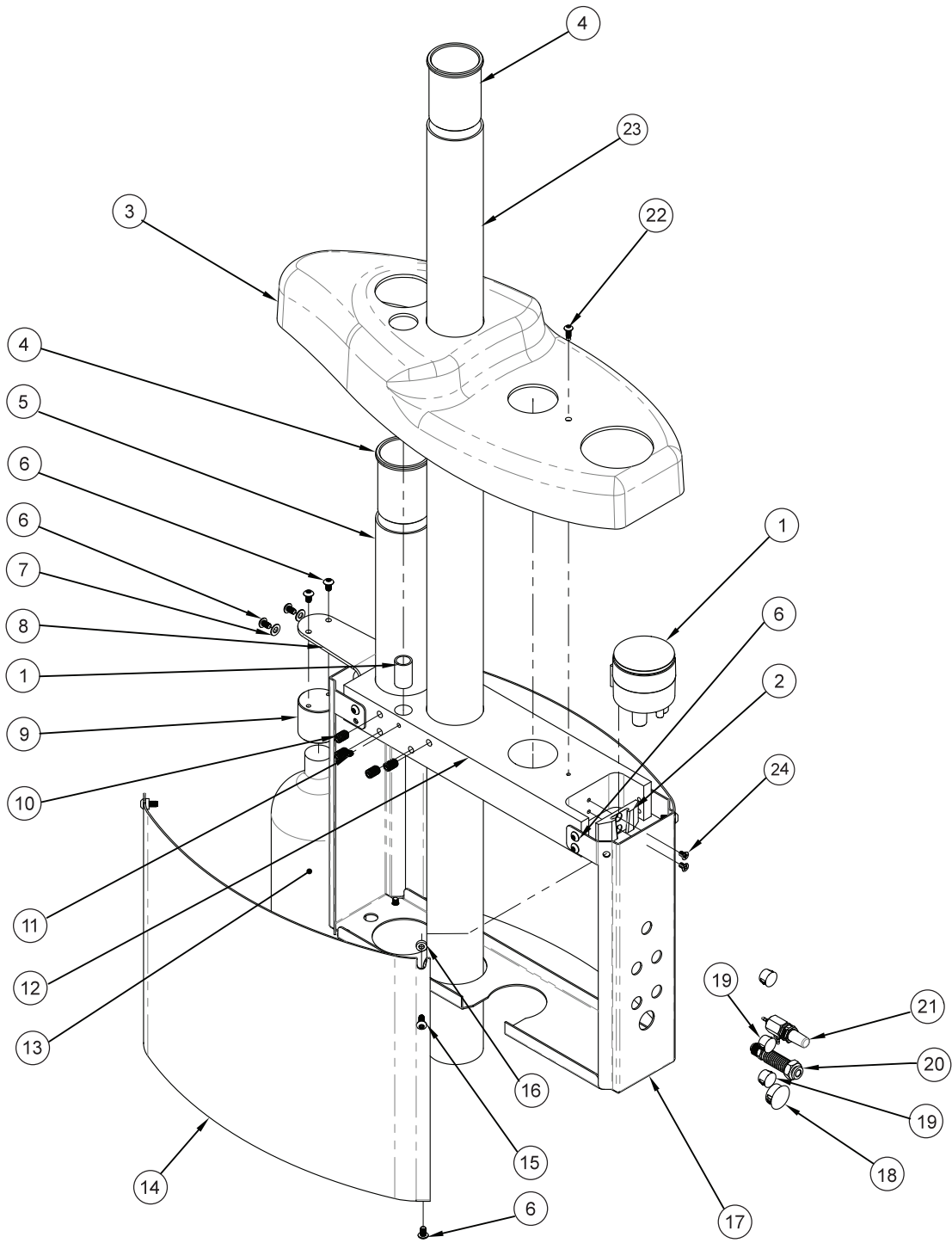
AUTOCLAVABLE S/E LEVER VALVE
112-280

AUTOCLAVABLE UNIVERSAL HVE VALVE
112-263

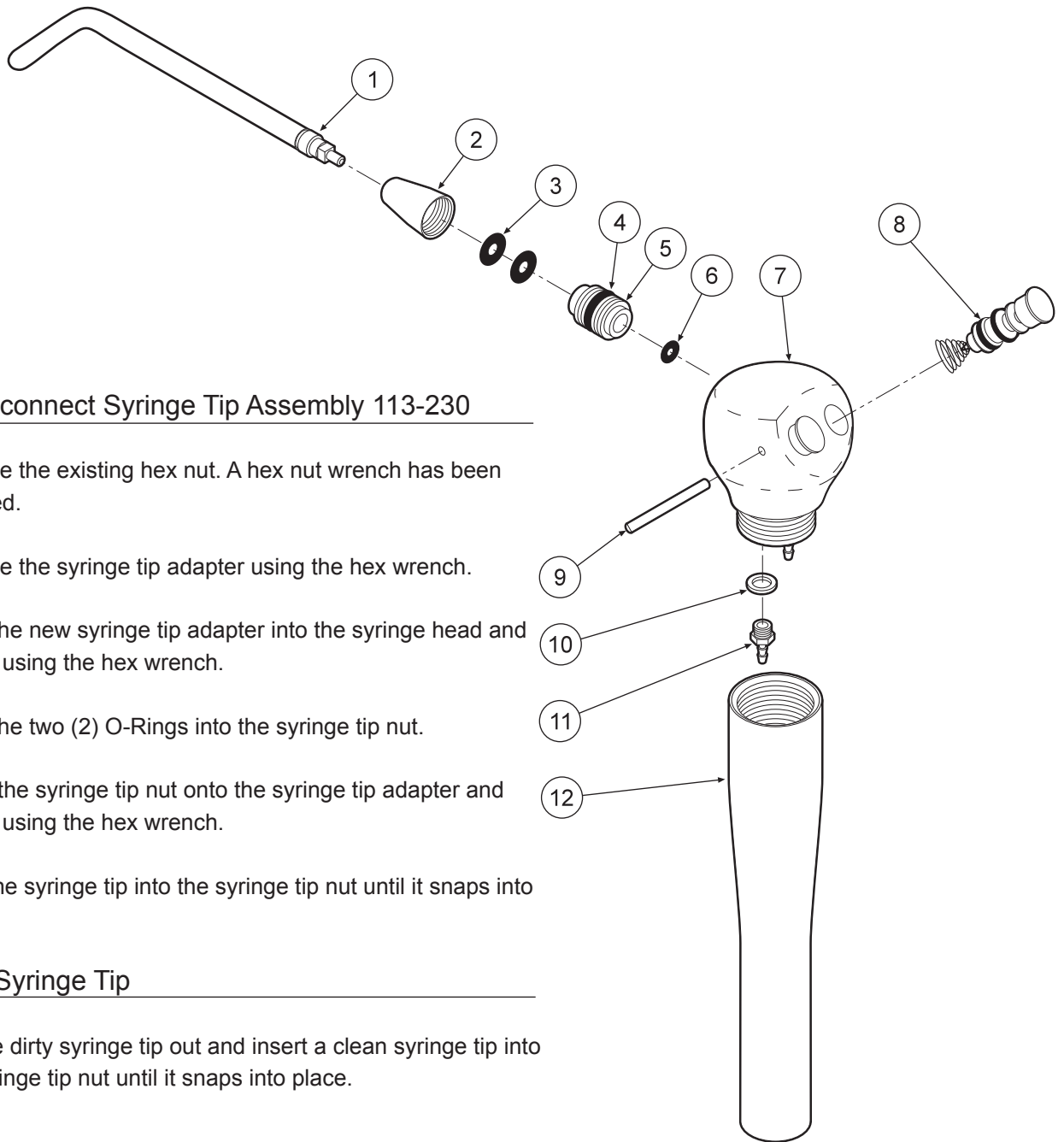


ITEM	PART DESCRIPTION	PART NUMBER	QTY	ITEM	PART DESCRIPTION	PART NUMBER	QTY	ITEM	PART DESCRIPTION	PART NUMBER	QTY
1	Cup Fill Spout.....	132-068	1	9	Drain Assembly.....	132-041	1	17	Ceramic Bowl O-Ring.....	017-150	2
2	Screw, 6-32 x 5/8".....	001-159	4	10	Drain Shaft.....	132-103	1	18	Cup Fill Valve.....	132-018	1
3	Cover.....	145-027	1	11	Bushing.....	013-017	1	19	Bowl Rinse Valve.....	132-020	1
4	Washer, 7/16".....	003-047	6	12	Syringe.....	113-400	1	20	Signal Valve.....	132-035	1
5	Receptical Spout Kit.....	132-069	2	13	Autoclavable S/E.....	112-280	1	21	Bowl Rinse Adjustment Valve.....	132-122	1
6	Screw, 10-32 x 1/4".....	001-087	4	14	Autoclavable HVE.....	112-262	1	22	Holder Bar.....	132-111	1
7	Air Reservoir.....	132-044	1	15	Bowl Rinse Spout.....	132-067	1	23	Screw, 10-32 x .75.....	001-034	4
8	Frame.....	145-030	1	16	Ceramic Bowl.....	132-110	1	24	Universal HP Holder.....	141-023	3
								25	Drain Tubing.....	115-747	7ft.

**ASEPSIS CUSPIDOR
C-4201**



ITEM	PART DESCRIPTION	PART NUMBER	QTY	ITEM	PART DESCRIPTION	PART NUMBER	QTY	ITEM	PART DESCRIPTION	PART NUMBER	QTY
1	Vacuum Canister.....	131-038	1	11	Set Screw, 10-32 x 3/16".....	005-037	1	21	Needle flow valve.....	121-000	1
2	Canister bracket.....	131-021	1	12	Aluminum block.....	145-026	1	22	Screw, 8-32 .375.....	001-161	1
3	Top cover side box.....	145-025	1	13	1 Liter bottle.....	110-041	1	23	40" side box post.....	146-204	1
4	Pelton - crane adapter.....	146-208	2	14	Side Cover.....	145-041	2	24	Screw, 8-32 x 1/4".....	001-003	2
5	Riser post side box.....	144-064	1	15	Screw 10-32 x 50".....	001-171	4				
6	Screw, 10-32 x 5/16".....	001-077	14	16	Washer.....	003-063	4				
7	Washer #10.....	003-024	2	17	Base housing cover.....	145-040	1				
8	Water bottle bracket.....	145-013	1	18	Plug 3/4".....	010-005	1				
9	Pressure head.....	110-007	1	19	Plug 1/2".....	010-013	3				
10	Set screw 5/16"-18 x 1/2".....	005-010	4	20	1/4" Female QD.....	024-003	1				



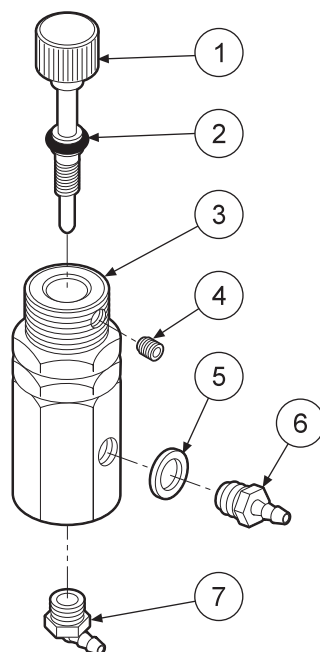
Quick-disconnect Syringe Tip Assembly 113-230

1. Remove the existing hex nut. A hex nut wrench has been provided.
2. Remove the syringe tip adapter using the hex wrench.
3. Insert the new syringe tip adapter into the syringe head and tighten using the hex wrench.
4. Place the two (2) O-Rings into the syringe tip nut.
5. Screw the syringe tip nut onto the syringe tip adapter and tighten using the hex wrench.
6. Push the syringe tip into the syringe tip nut until it snaps into place.

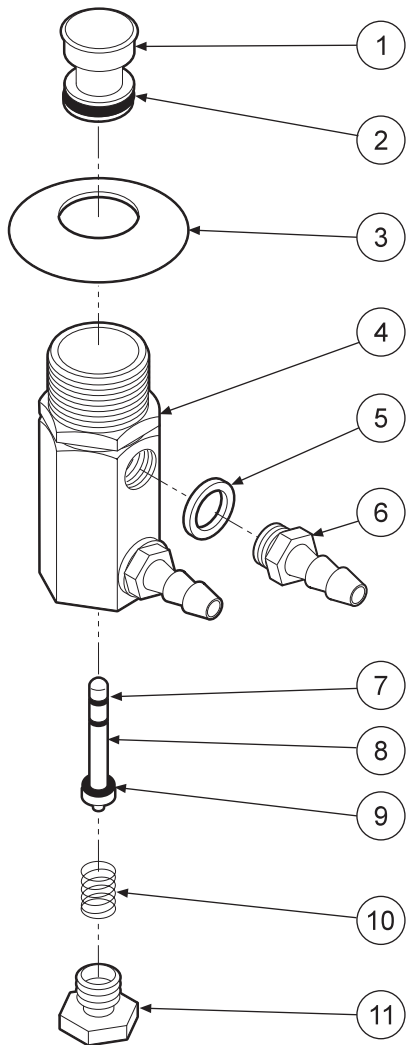
Replace Syringe Tip

1. Pull the dirty syringe tip out and insert a clean syringe tip into the syringe tip nut until it snaps into place.

ITEM	PART DESCRIPTION	PART NUMBER	QTY
1	Syringe Tip	113-030	1
2	Syringe Tip Nut.....	113-402	1
3	O-Ring, 006	017-006	2
4	O-Ring, 228-040	017-023	1
5	Syringe Tip Adapter	113-227	1
6	O-Ring, 003	017-003	1
7	Syringe Head.....	113-405	1
8	Syringe Button Repair Kit	113-403	2
9	Pin, Syringe Cartridge	113-008	1
10	Plastic Washer, 8-32.....	003-030	2
11	Barb, 8-32 x 1/16"	022-040	2
12	Syringe Handle.....	113-236	1

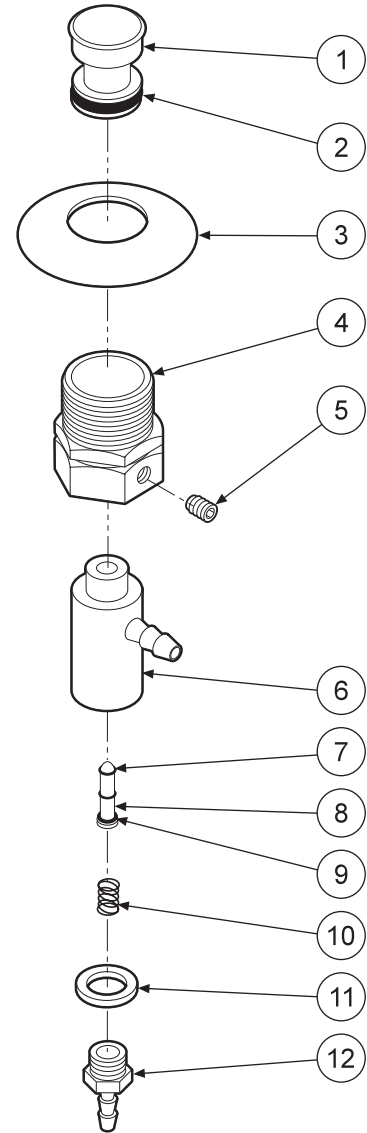


ITEM	PART DESCRIPTION	PART NUMBER	QTY
1	Stem	132-124	1
2	O-Ring,003.....	017-003	1
3	Body	132-123	1
4	Set Screw, 4-40 x 1/8"	005-030	1
5	Plastic Waher, 1/4"	003-001	1
6	Barb,m 10-32 x 1/16"	022-009	1
7	Plastic Elbow, 10-32 x 1/16"	022-039	1



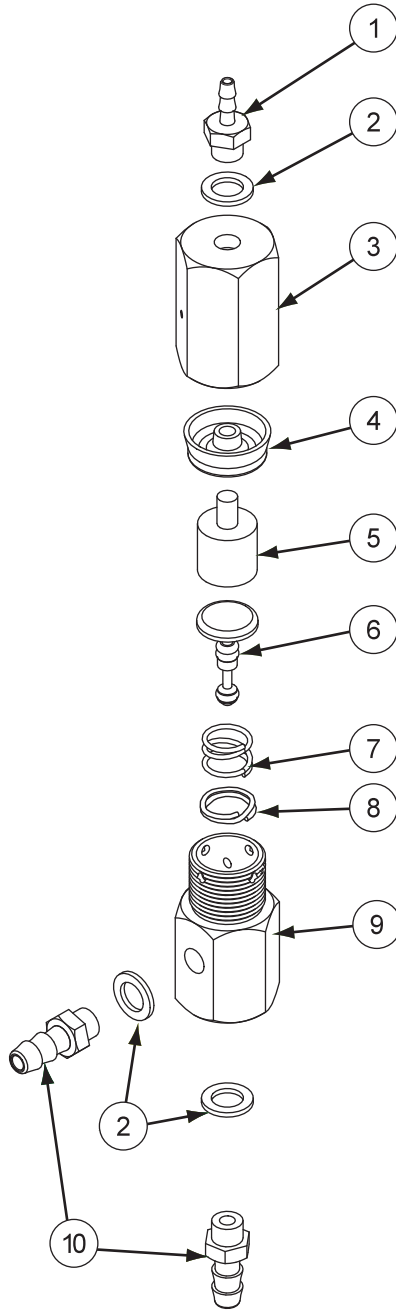
ITEM	PART DESCRIPTION	PART NUMBER	QTY
1	Syringe Button.....	113-401	1
2	O-Ring, 007.....	017-007	1
3	Dress Nut.....	002-517	1
4	Body.....	132-028	1
5	Plastic Washer, 1/4".....	003-001	2
6	Barb, 10-32 x 1/8".....	022-010	2
7	O-Ring, 001.....	017-501	2
8	Stem.....	132-021	1
9	O-Ring, 002.....	017-502	1
10	Spring.....	008-023	1
11	Plug.....	020-026	1

PUSH BUTTON VALVE, WATER (CUSPIDOR)
132-018










ITEM	PART DESCRIPTION	PART NUMBER	QTY
1	Syringe Button.....	113-401	1
2	O-Ring, 008.....	017-008	1
3	Dress Nut.....	002-517	1
4	Air Signal Adapter.....	132-014	1
5	Set Screw, 4-40 x 3/16".....	005-001	1
6	Valve Body.....	123-017	1
7	O-Ring, 001.....	017-501	2
8	Stem.....	123-015	1
9	O-Ring, 002.....	017-502	1
10	Spring.....	008-011	1
11	Plastic Washer, 1/4".....	003-001	1
12	Barb, 10-32 x 1/16".....	022-009	1

PUSH BUTTON VALVE, AIR (CUSPIDOR)
132-020

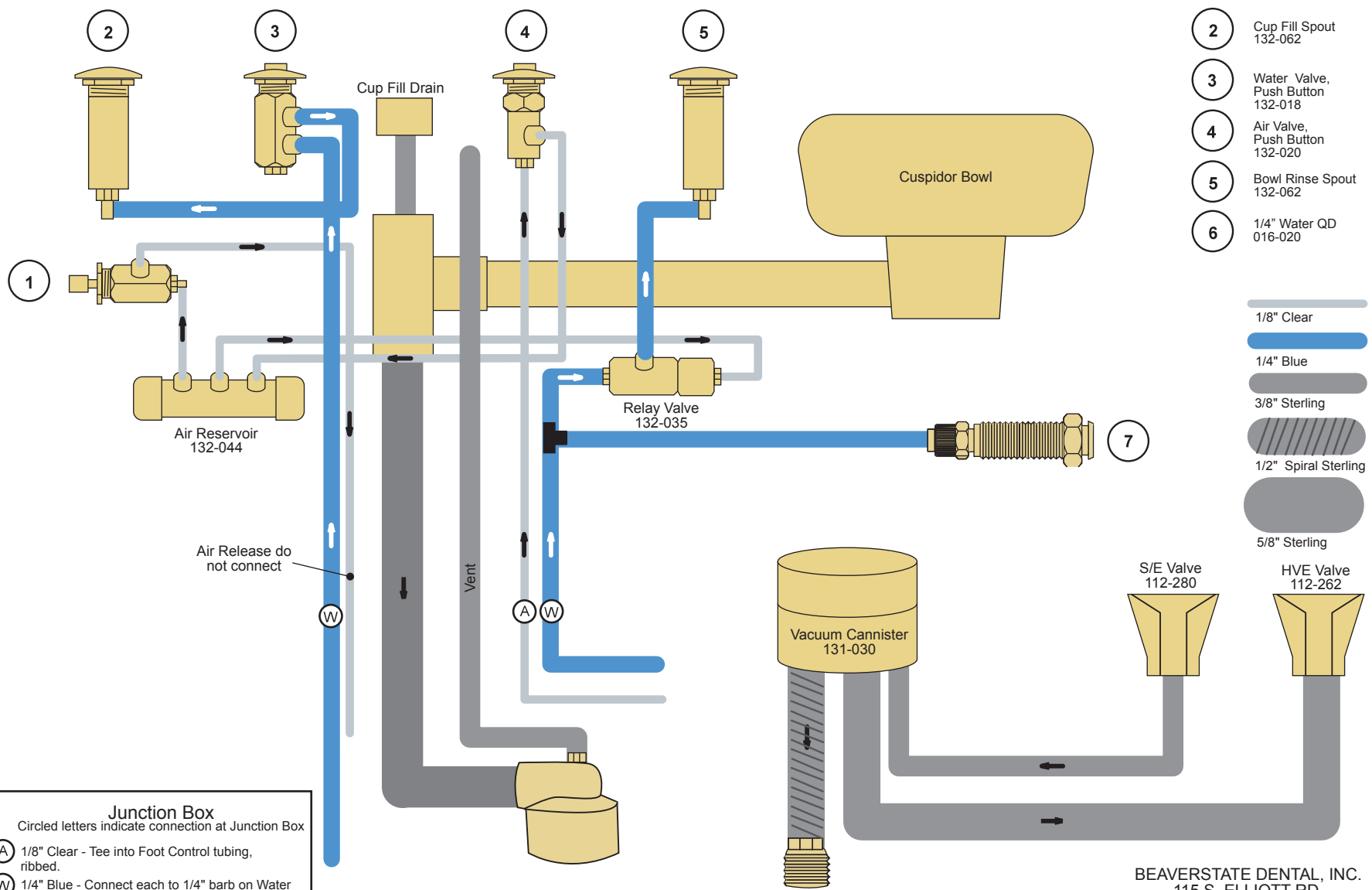


ITEM	PART DESCRIPTION	PART NUMBER	QTY
1	Hex Barb, 10-32 x 1/16"	022-009	1
2	Plastic Washer, 1/4"	003-001	3
3	Valve, Air Pilot	014-002	1
4	Cup Seal	017-203	1
5	Piston, Air Pilot.....	014-008	1
6	Stem, 2-Way Toggle Valve	120-013	1
7	Spring, Toggle Valve.....	008-002	1
8	#4 Split Ring	017-011	1
9	Body, Toggle Valve.....	120-010	1
10	Hex Barb, 10-32 x 1/8"	022-010	2



Asepsis Cuspidor C-4201

-  Tee
-  1 Bleed Valve 132-122
-  2 Cup Fill Spout 132-062
-  3 Water Valve, Push Button 132-018
-  4 Air Valve, Push Button 132-020
-  5 Bowl Rinse Spout 132-020
-  6 1/4" Water QD 016-020

-  1/8" Clear
-  1/4" Blue
-  3/8" Sterling
-  1/2" Spiral Sterling
-  5/8" Sterling



Junction Box
 Circled letters indicate connection at Junction Box

-  A 1/8" Clear - Tee into Foot Control tubing, ribbed.
-  W 1/4" Blue - Connect each to 1/4" barb on Water Master Valve (may require inserting an additional barb).

BEAVERSTATE DENTAL, INC.
 115 S. ELLIOTT RD.
 NEWBERG, OR 97132 USA
 800-237-2303 503-538-8756
 503-538-2845 FAX

WARRANTY

BDS warrants its product to be free of defects in material and workmanship for SEVEN FULL YEARS from the date of purchase on all units. Auto-blocks and standard foot controls are covered by a LIFETIME warranty when factory installed as part of a complete dental system. Upholstery has a TWO YEAR warranty and does not cover normal wear, stains, cuts or tears. Our LED lights have a FIVE year Warranty and our halogen light has a ONE year Warranty. Operatory chair motors feature a TEN year warranty. All warranty is limited to repair or replacement by BDS. Products returned to the factory and determined to be defective will be repaired or replaced free of charge at discretion of BDS. The warranty does not cover light bulbs, electrical components and trimmed or installed tubing. BDS reserves the right to void all warranties if any product is installed by other than an authorized technician. BDS' warranty does not cover damage to any surface finish, including but not limited to, discoloration or abrasion from cleaners, disinfectants or light sources. No claim for labor or consequential damages will be allowed. Return items must include a copy of the invoice or packing slip as proof of purchase.

**Beaverstate Dental Inc.
115 S. Elliott Rd.
Newberg, OR 97132
800-237-2303
503-538-8756
503-538-2845 Fax
www.beaverstatedental.com**
